

## 460-690nm Manual Adjustable Optical Attenuator

### FEATURES

- ▣ Low Excess Loss
- ▣ Various Splitting Ratio
- ▣ Wide Passband
- ▣ High Stability and Reliability
- ▣ Epoxy Free Optical Path

### APPLICATIONS

- ▣ Optical Amplifier
- ▣ Optical Networks
- ▣ Power Monitoring
- ▣ Fiber Sensor
- ▣ Labs

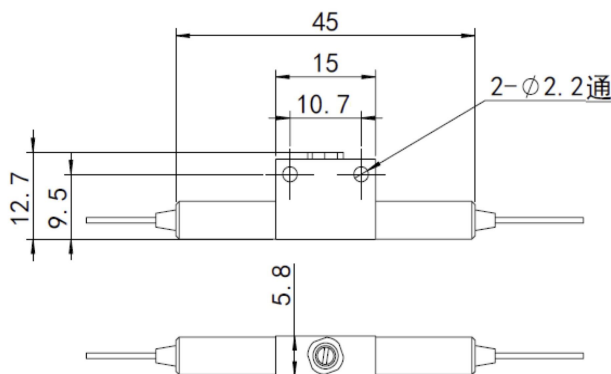


### SPECIFICATIONS

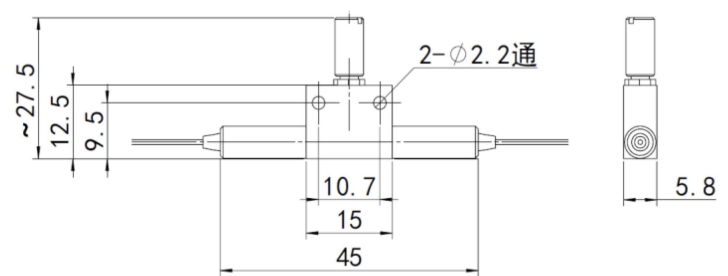
Parameter	Unit	Value	
Center Wavelength	nm	460, 488, 520, 532	635, 650, 660, 690
Bandwidth	nm	+/-10	
Attenuation Range	dB	1.7~30	
Resolution (<10dB attenuation)	dB	0.3	
PDL (at lowest attenuation)	dB	≤0.3	
Optical Return Loss	dB	≥40	
Fiber Type	-	460-HP Fiber	630-HP Fiber
Fiber Tensile Load	N	5	
Max. Optical Power (CW)	mW	30	
Operating Temperature	°C	0~50	
Storage Temperature	°C	-40~85	

- Note:**
1. Specifications are for device without connectors; Specifications may change without notice.
  2. To add connectors, IL is 0.9dB higher, RL is 5dB lower.
  3. Devices for higher optical power or with other type fiber or consigned fiber are also available.

### PACKAGE DIMENSION



Screw Type



Manual Type

### ORDERING INFORMATION (PN)

PMVA- **NNN**

- **(C)**

**C**

**NN**

- **CC/CCC**

*Center Wavelength*

488-488nm

532-532nm

635-635nm

650-650nm

*Package*

M=Manual Type

Blank for Screw Type

*Fiber Sleeve*

B= Bare fiber

L= Loose Tube

2= 2mm Cable

3= 3mm Cable

*Fiber Length*

05=0.5m

10=1.0m

15=1.5m

20=2.0m

*Connector Type*

N=Without Connector

FC/APC=FC/APC Connector

LC/PC=LC/PC Connector

SC/UPC=SC/UPC Connector

